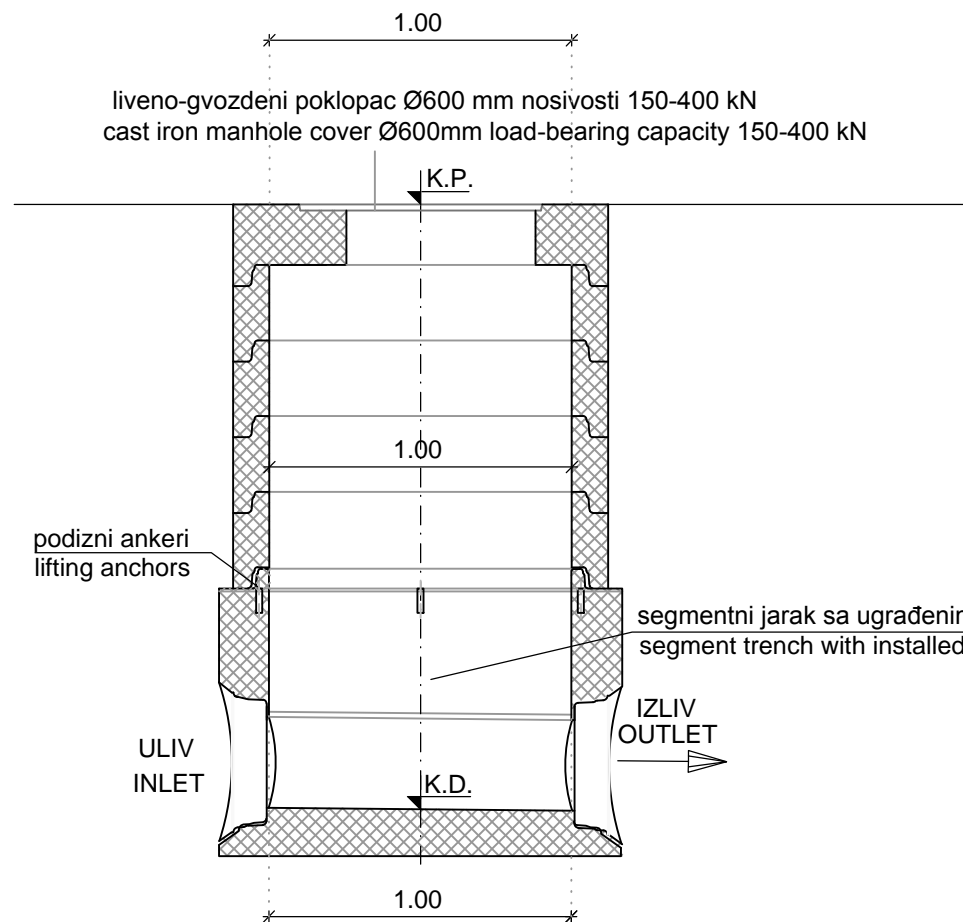
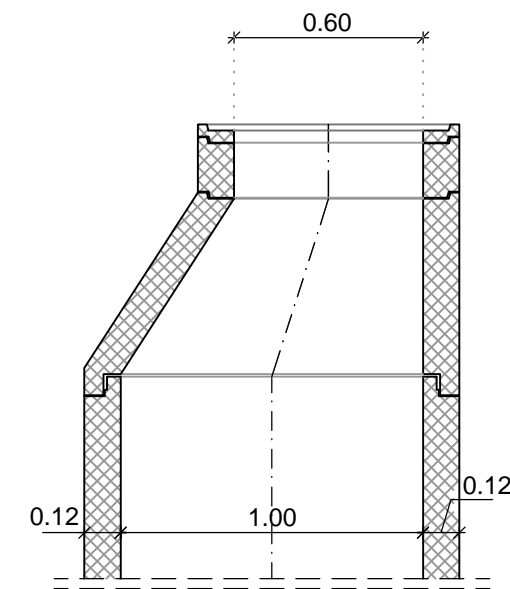
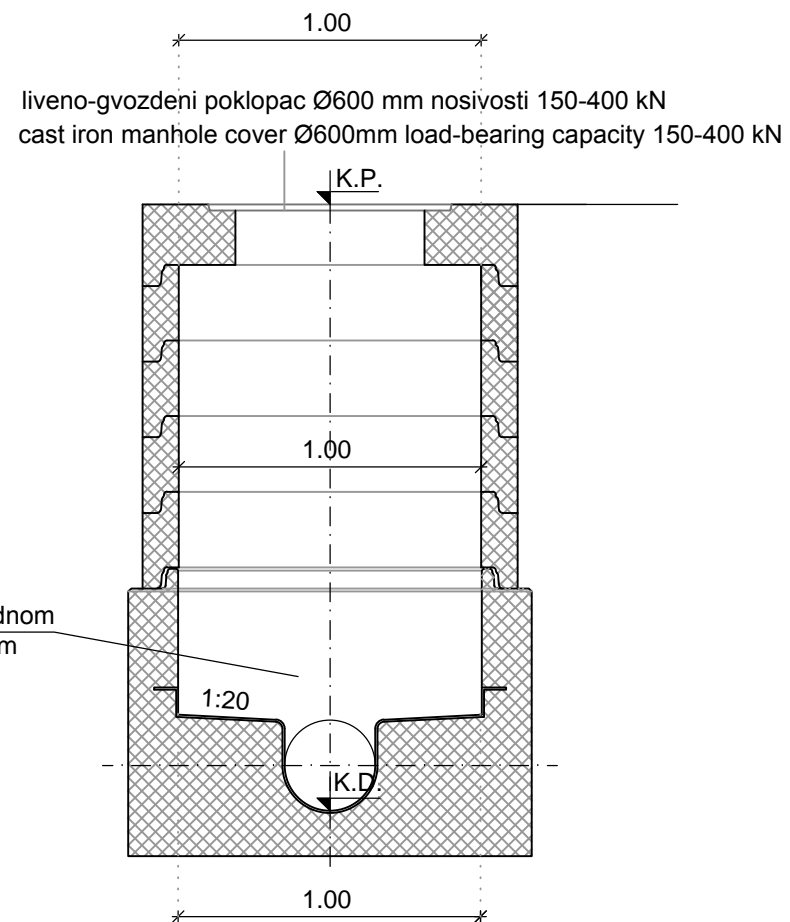


**PRESEK A-A
CROSS SECTION A-A**



**PRESEK B-B
CROSS SECTION B-B**



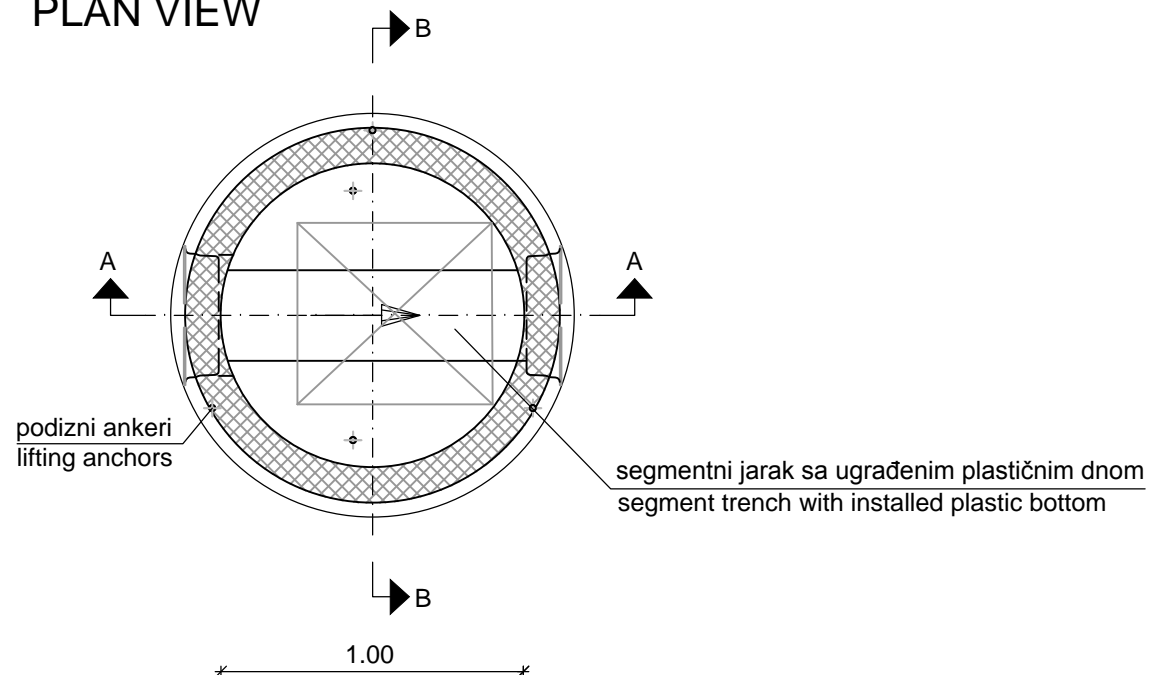
NAPOMENA:

U slučaju kada je dubina okna jednaka ili veća od 1,60m, ugrađuje se konusni element okna.

NOTE:

In the case when the depth of the shaft is greater than or equal to 1.60m, a cone-shaped manhole element is installed.

**OSNOVA
PLAN VIEW**



br./no.	promena/change	datum/date	ime/name

kljijent/client:



naslov/title:

SRSDD Standardni crteži putnih detalja u Republici Srbiji
SRSDD Serbian road standard detail drawings

crtež/drawing:

Detalj betonskog revizionog okna
Detail drawing of a concrete revision shaft

razmera/scale: 1:25

datum/date: 30.04.2012

strana/page: 1.12