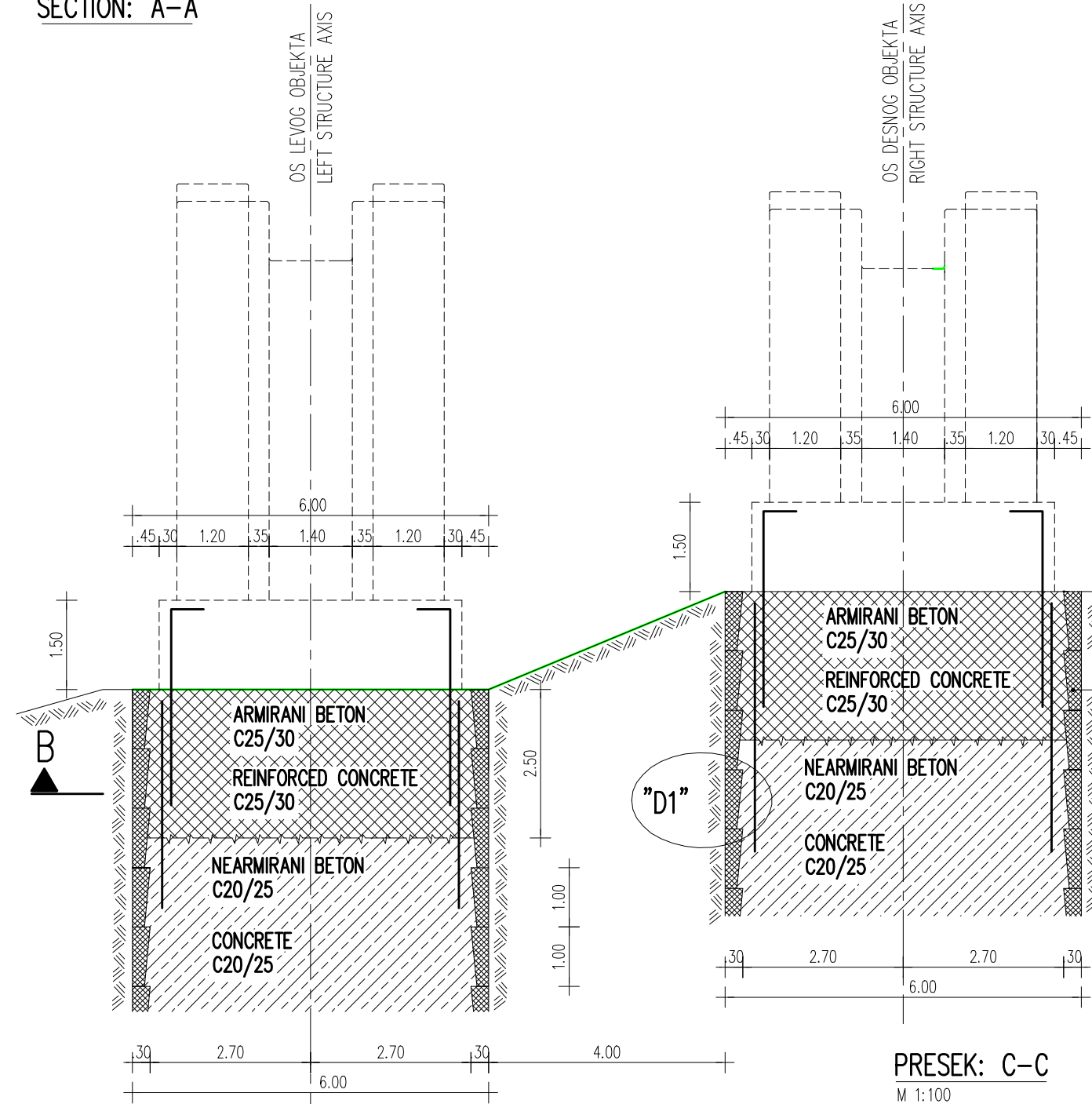


PRESEK: A-A

M 1:100

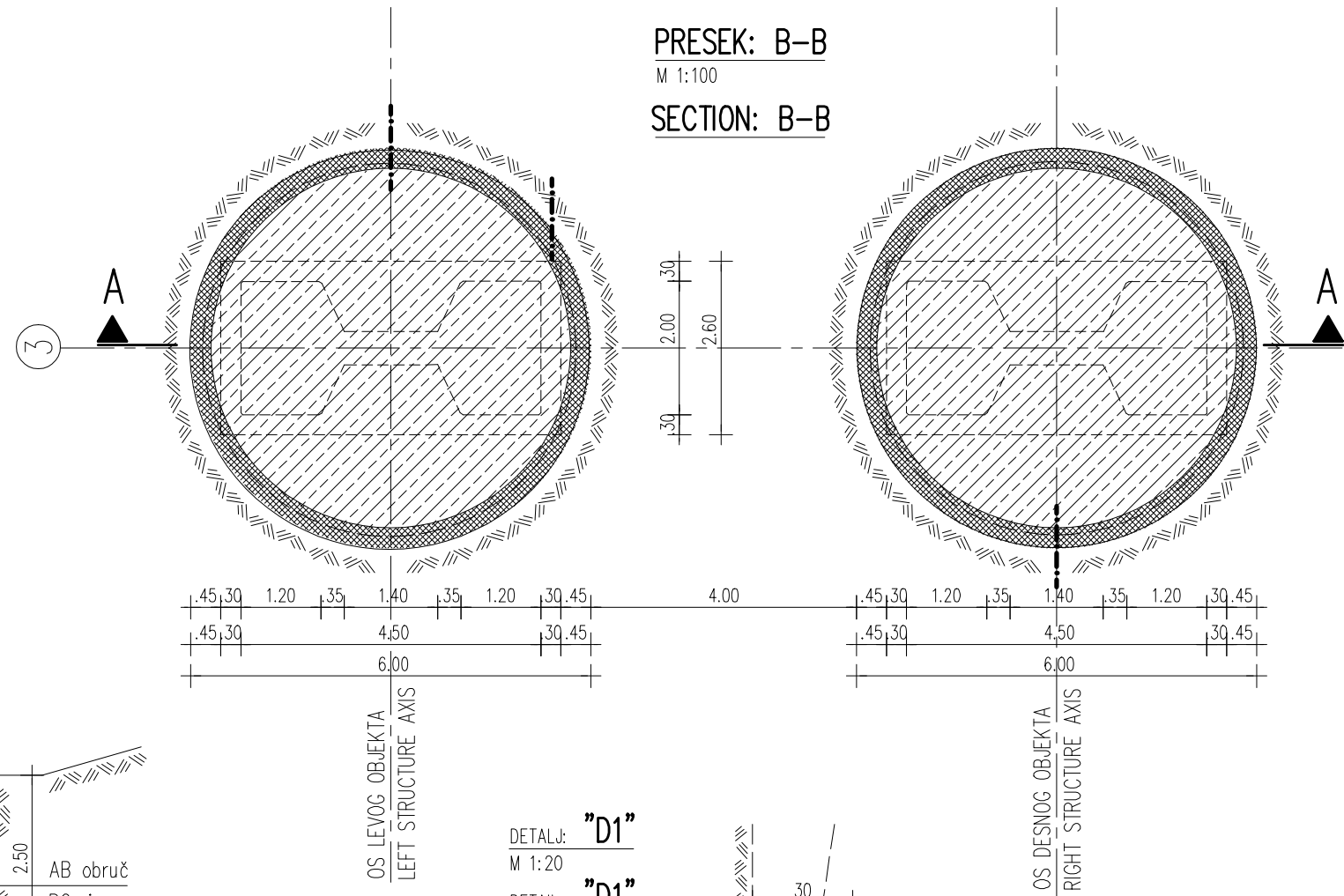
SECTION: A-A



PRESEK: B-B

M 1:100

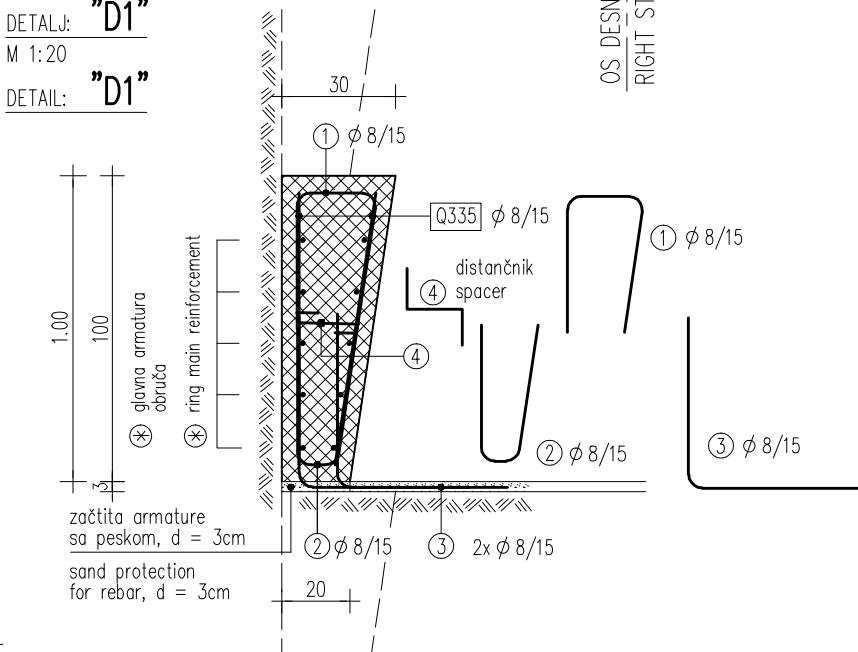
SECTION: B-B



DETALJ: "D1"

M 1:20

DETALJ: "D1"

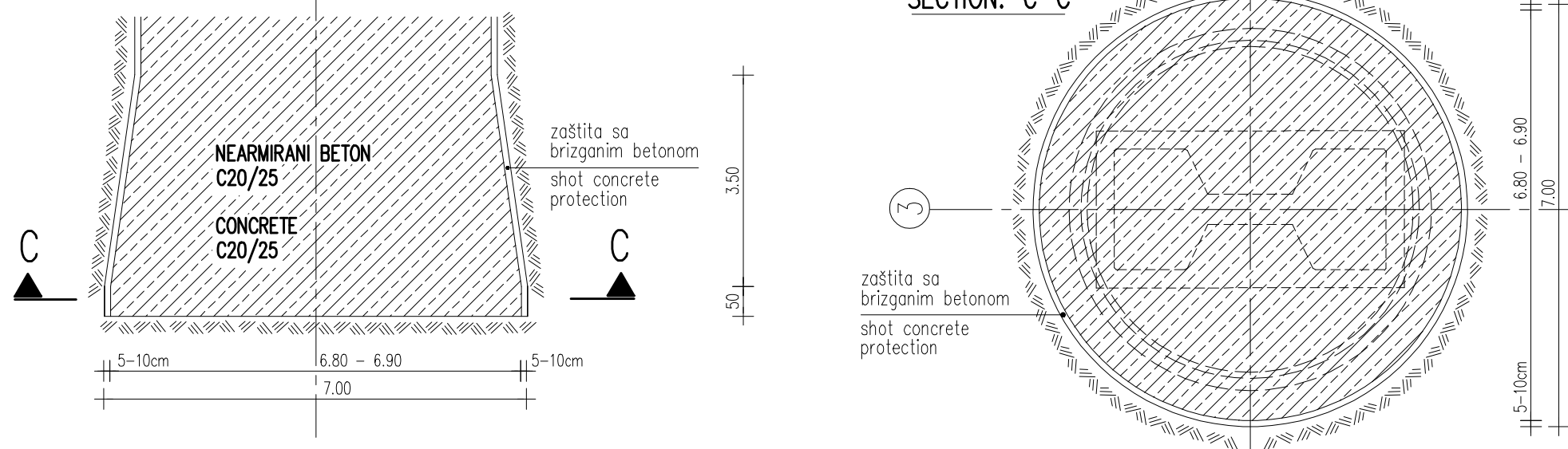


"D1"

PRESEK: C-C

M 1:100

SECTION: C-C



br./no.	promena/change	datum/date	ime/name
<b>klijent/client:</b>			
			
<b>naslov/title:</b>			
SRSDD Standardni crteži putnih detalja u Republici Srbiji SRSDD Serbian road standard detail drawings			
<b>crtež/drawing:</b>			
Duboko temeljenje na bunarima Depp well foundations			
<b>merilo/scale:</b> 1 : 100, 20		<b>datum/date:</b> 30.04.2012	<b>strana/page :</b> 6.8