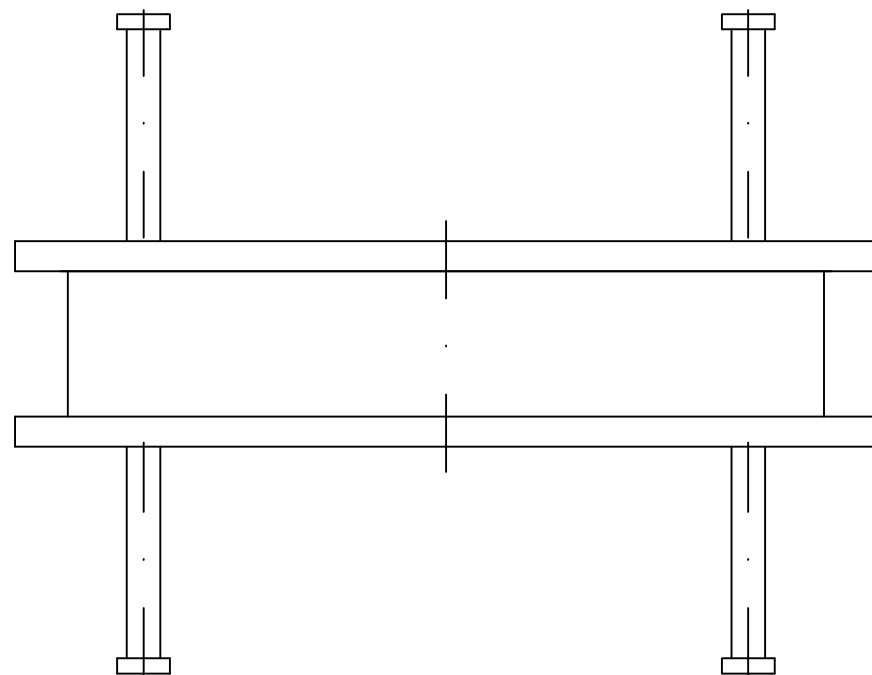
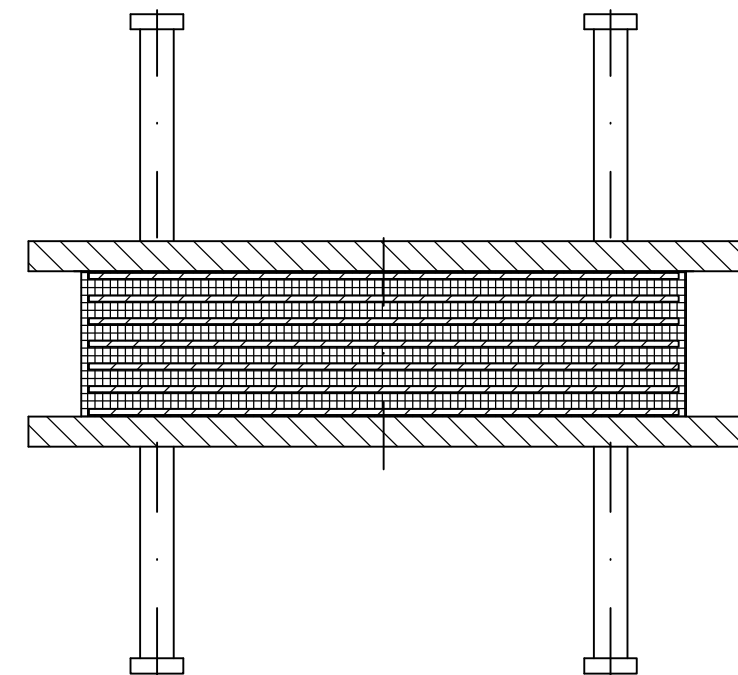


Elastomerno ležište prema EN 1337-3 / Elastomeric bearing according to EN 1337-3

Poprečna smer/Transversal direction



Glavna smer/Main direction




PAŽNJA:

Upotreba elastomernih ležišta bez sidra nije dozvoljena, ako nije urađen proračun prema EN 1337-3.

ATTENTION:

Use of nonanchored elastomeric bearings is not permitted unless a static calculation is performed by EN 1337-3

br./no.	promena/change	datum/date	ime/name
klijent/client: 			
naslov/title: SRSDD Standardni crteži putnih detalja u Republici Srbiji SRSDD Serbian road standard detail drawings			
crtež/drawing: Detalj elastomernog ležišta prema EN 1337-3 Detail of elastomeric bearing according to EN 1337-3			
razmera/scale:	datum/date:	30.04.2012	strana/page: 6.16