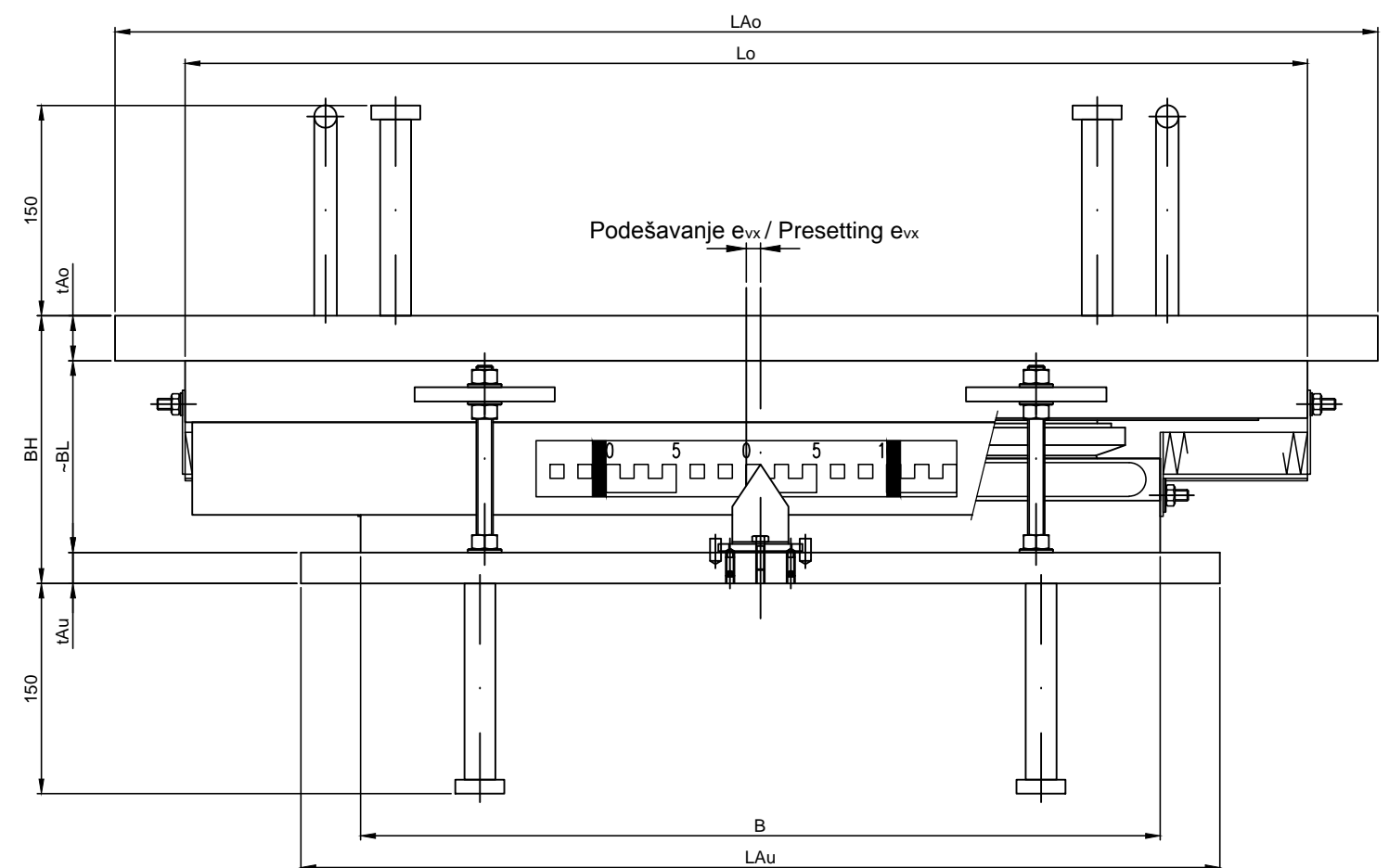
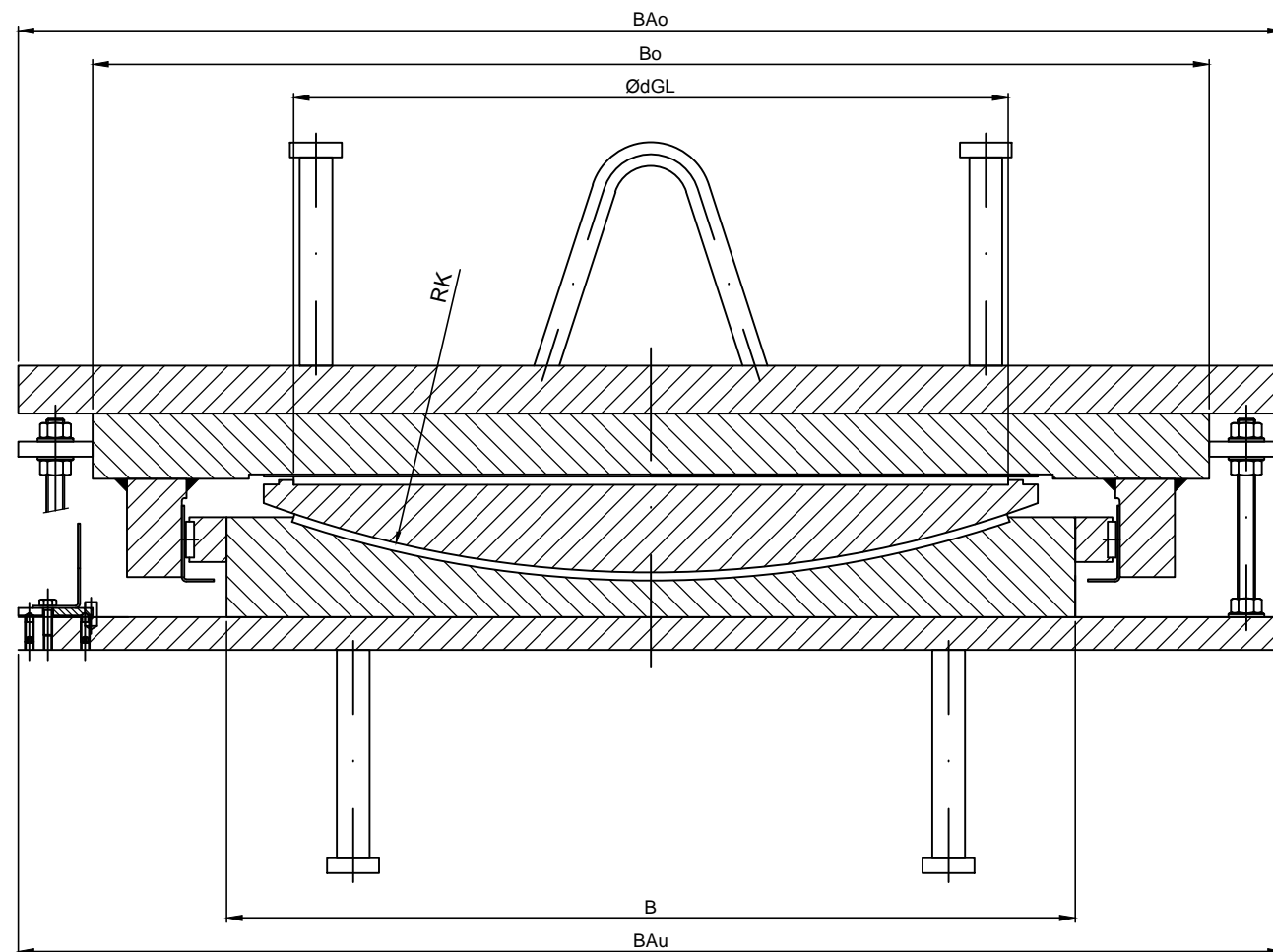


Sferno PTFE ležište prema EN 1337-7 / Spherical PTFE bearing according to EN 1337-7

Poprečna smer / Transversal direction

Glavna smer / Main direction



Autorsko pravo/Copyright:
RW Engineering GmbH, Wels, Austria

Legenda / Legend:

Videti stranu 2/2
See page 2/2

br./no.	promena/change	datum/date	ime/name

Klijent/client: 		
Naslov/title: SRSDD Standardni crteži putnih detalja u Republici Srbiji SRSDD Serbian road standard detail drawings		
Crtež/drawing: Detalj sfernog PTFE ležišta prema EN 1337-7 Detail of spherical PTFE bearing according to EN 1337-7		
razmera/scale: 1:5	datum/date: 30.04.2012	strana/page: 6.18.1