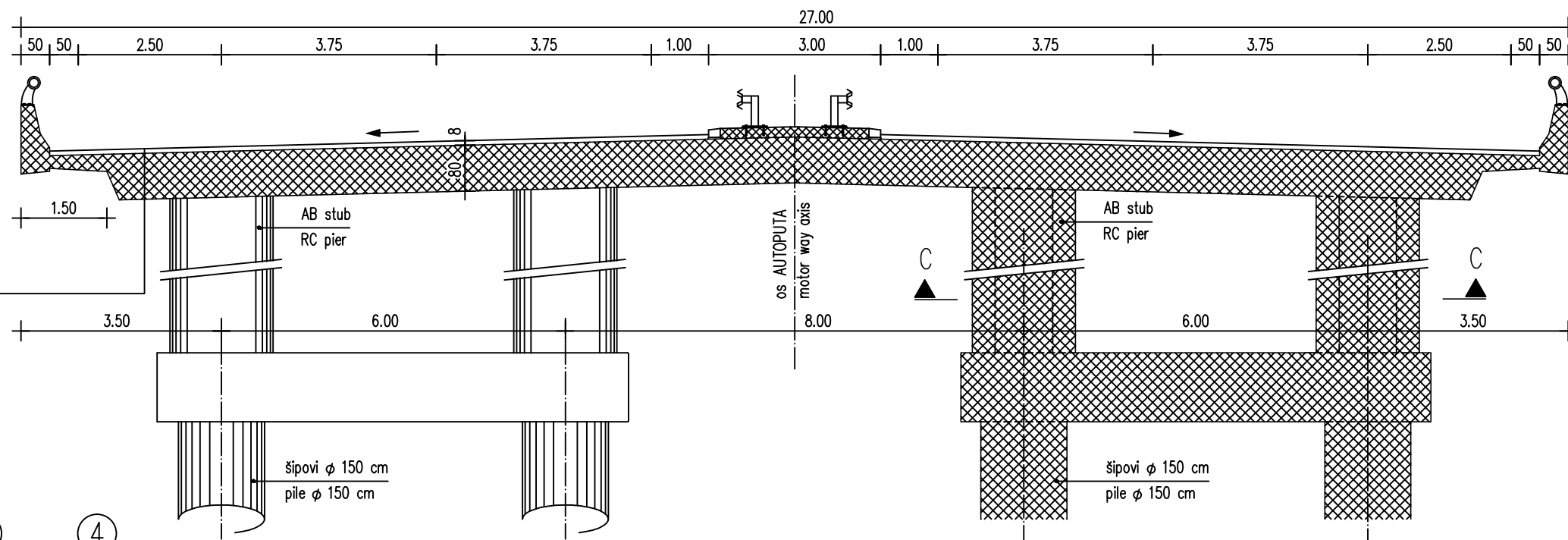
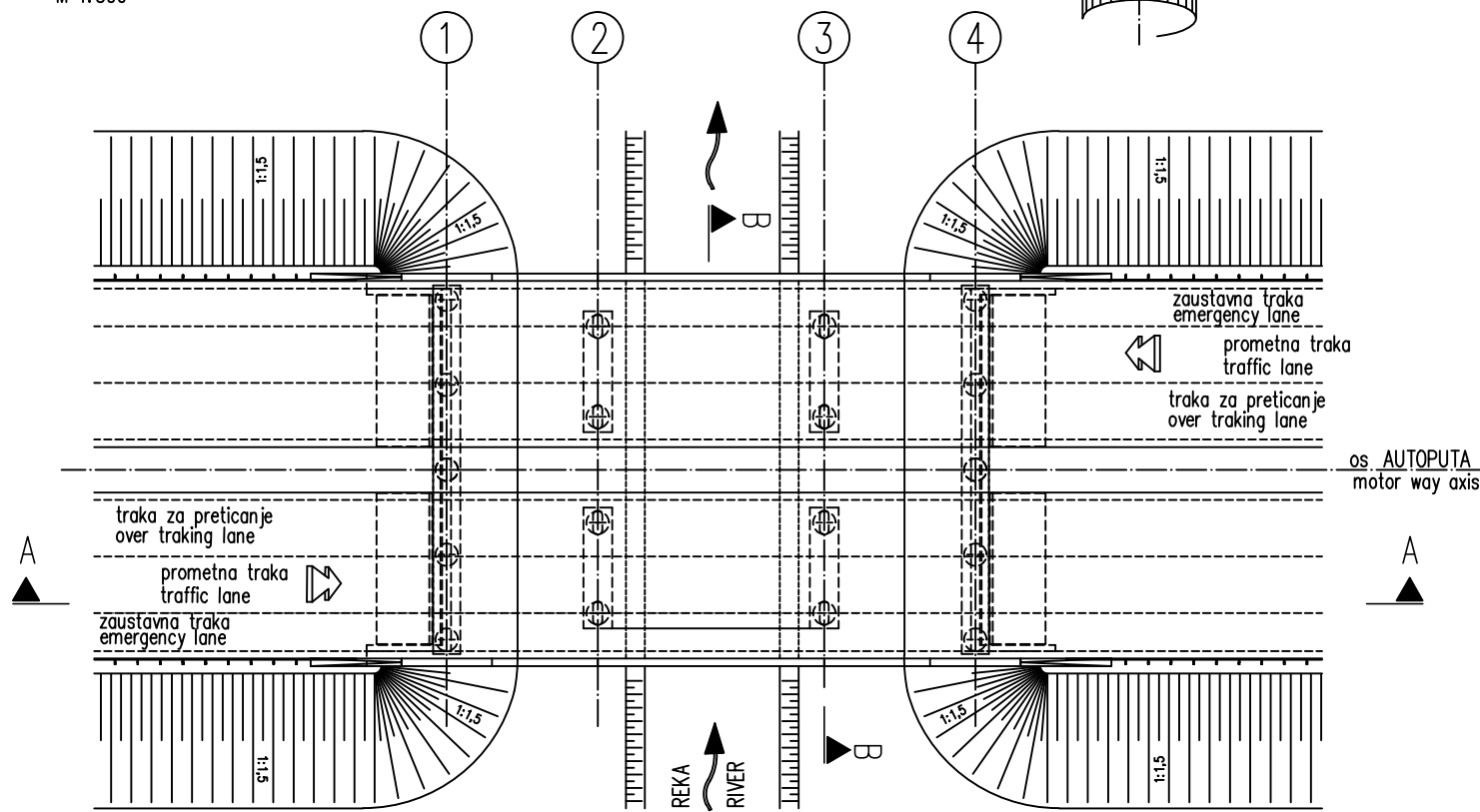


POPREČNI PRESEK: B-B  
M 1:100  
CROSS SECTION: B-B  
M 1:100

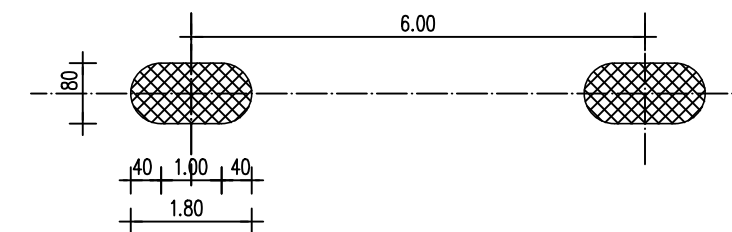
- habajući sloj asfalta 4cm
- zaštitni sloj asfalta 3cm
- hidroizolacija 1cm
- AB konstrukcija 80cm
- asphalt wearing course 4cm
- asphalt upper binder course 3cm
- waterproofing 1 cm
- RC konstrukcija 80cm



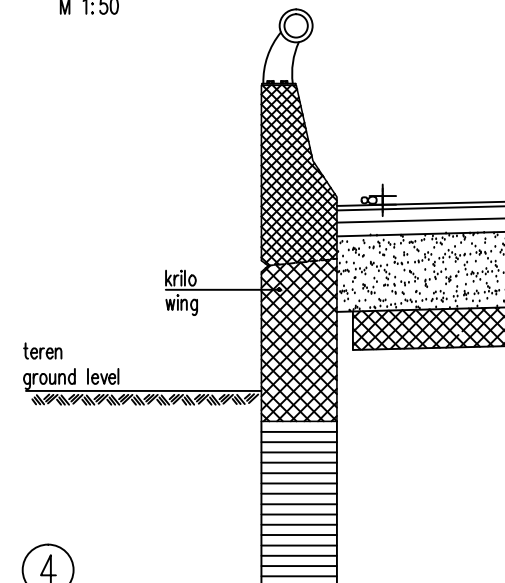
TLOCRT:  
M 1:500  
GROUND PLAN  
M 1:500



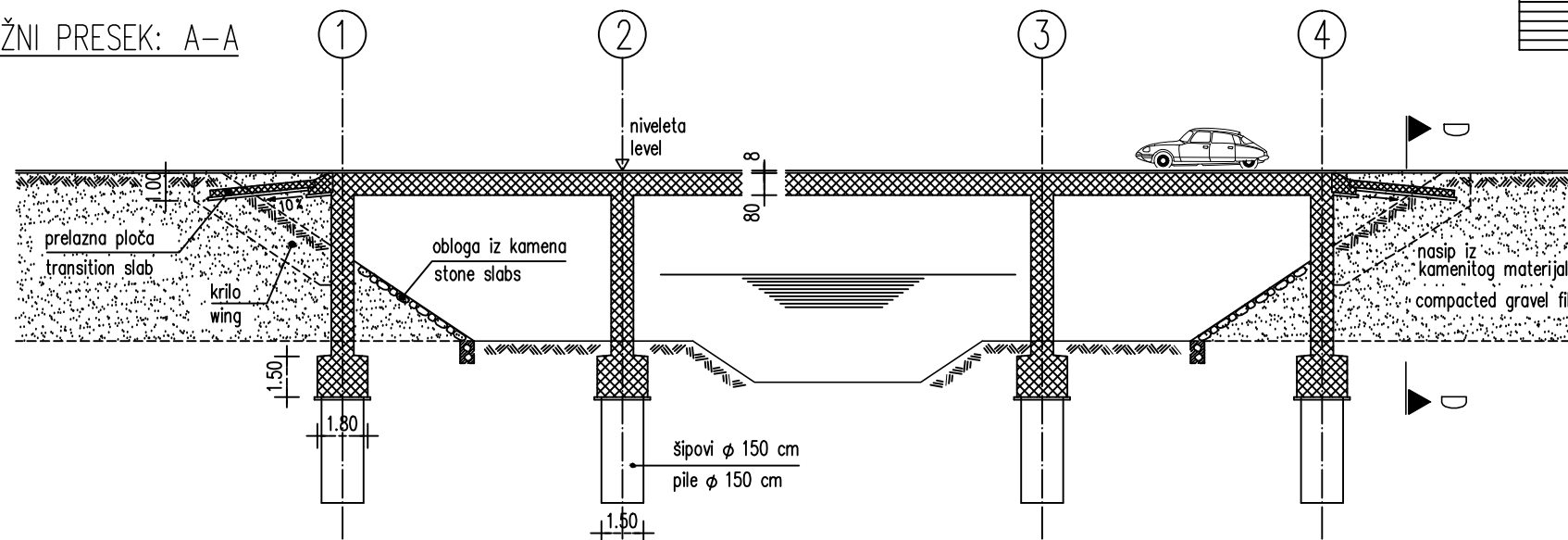
PRESEK (SECTION): C-C  
M 1:100



PRESEK (SECTION): D-D  
M 1:50



PODUŽNI PRESEK: A-A  
M 1:250



br./no.	promena/change	datum/date	ime/name
Klijent/client: 			
naslov/title: SRSDD Standardni crteži putnih detalja u Republici Srbiji SRSDD Serbian road standard detail drawings			
crtež/drawing: Manji most Small bridge			
merilo/scale: 1:500,250,100,50		datum/date: 30.04.2012 strana/page: 6.1	