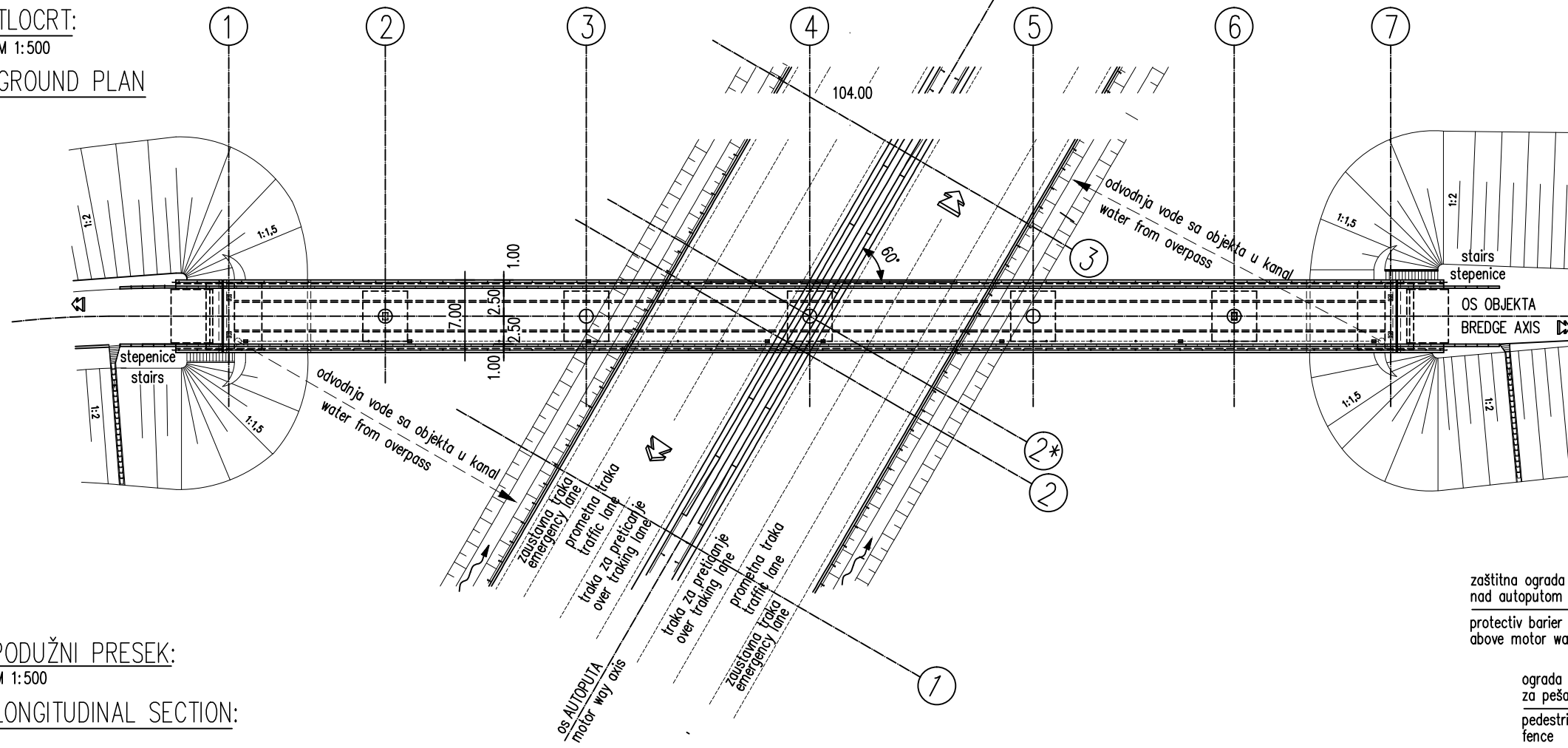
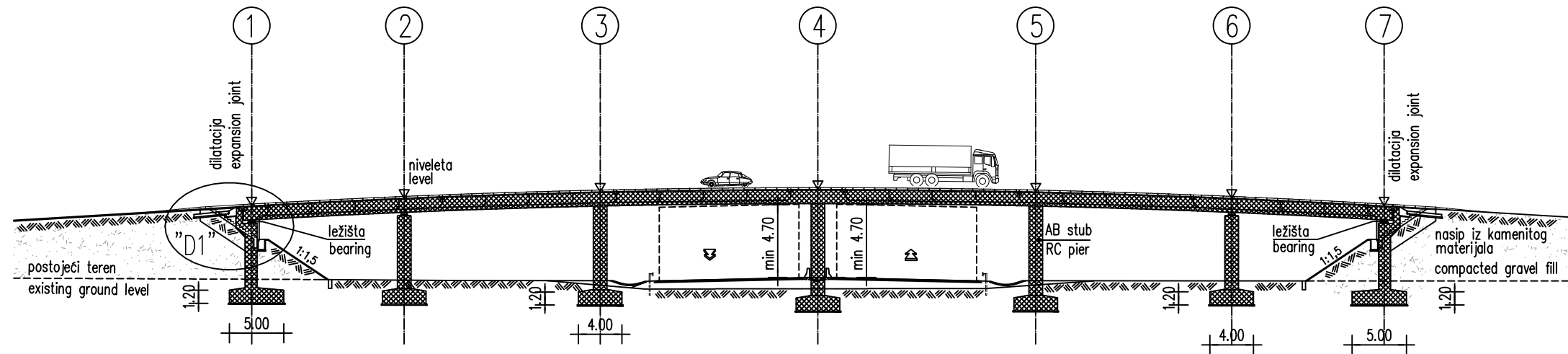


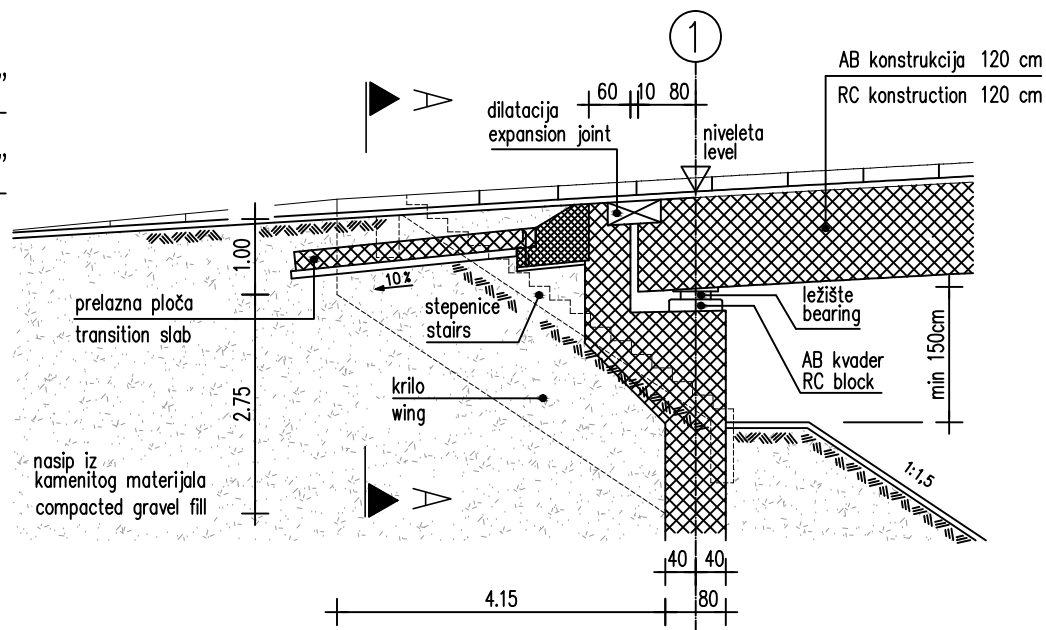
TLOCRT:
M 1:500
GROUND PLAN



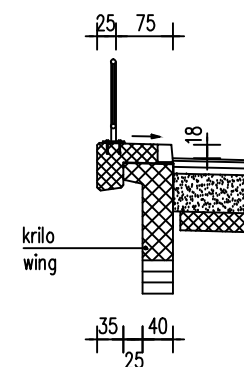
PODUŽNI PRESEK:
M 1:500
LONGITUDINAL SECTION:



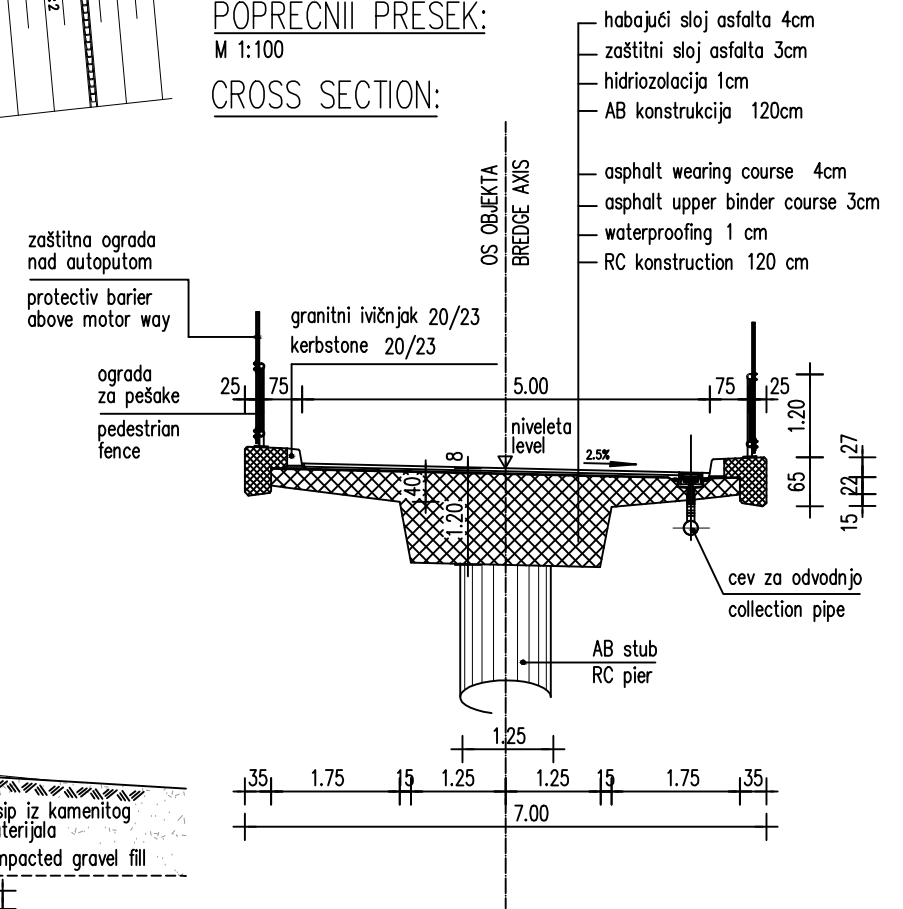
DETAIL: "D1"
M 1:100
DETAIL: "D1"



PRESEK (SECTION): A-A
M 1:100



POPREČNI PRESEK:
M 1:100
CROSS SECTION:



br./no.	promena/change	datum/date	ime/name
Klijent/client:			
naslov/title: SRSDD Standardni crteži putnih detalja u Republici Srbiji SRSDD Serbian road standard detail drawings			
crtež/drawing: Armiranobetonski kvazi integralni nadvožnjak za regionalne i lokalne puteve Reinforced concrete semi-integral overpass for regional and lokal roads			
merilo/scale: 1:500,100	datum/date: 30.04.2012	strana/page: 6.4	