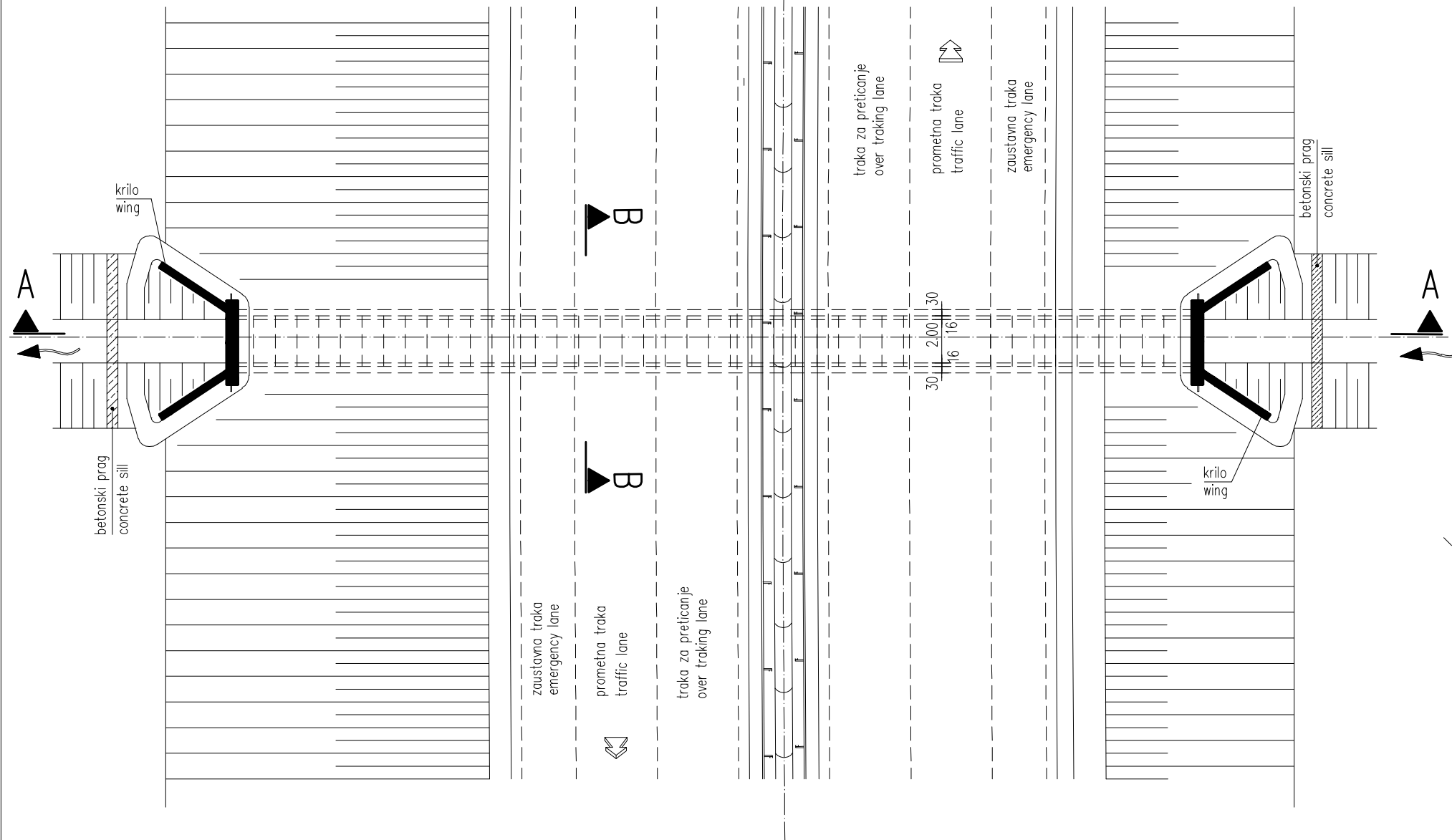
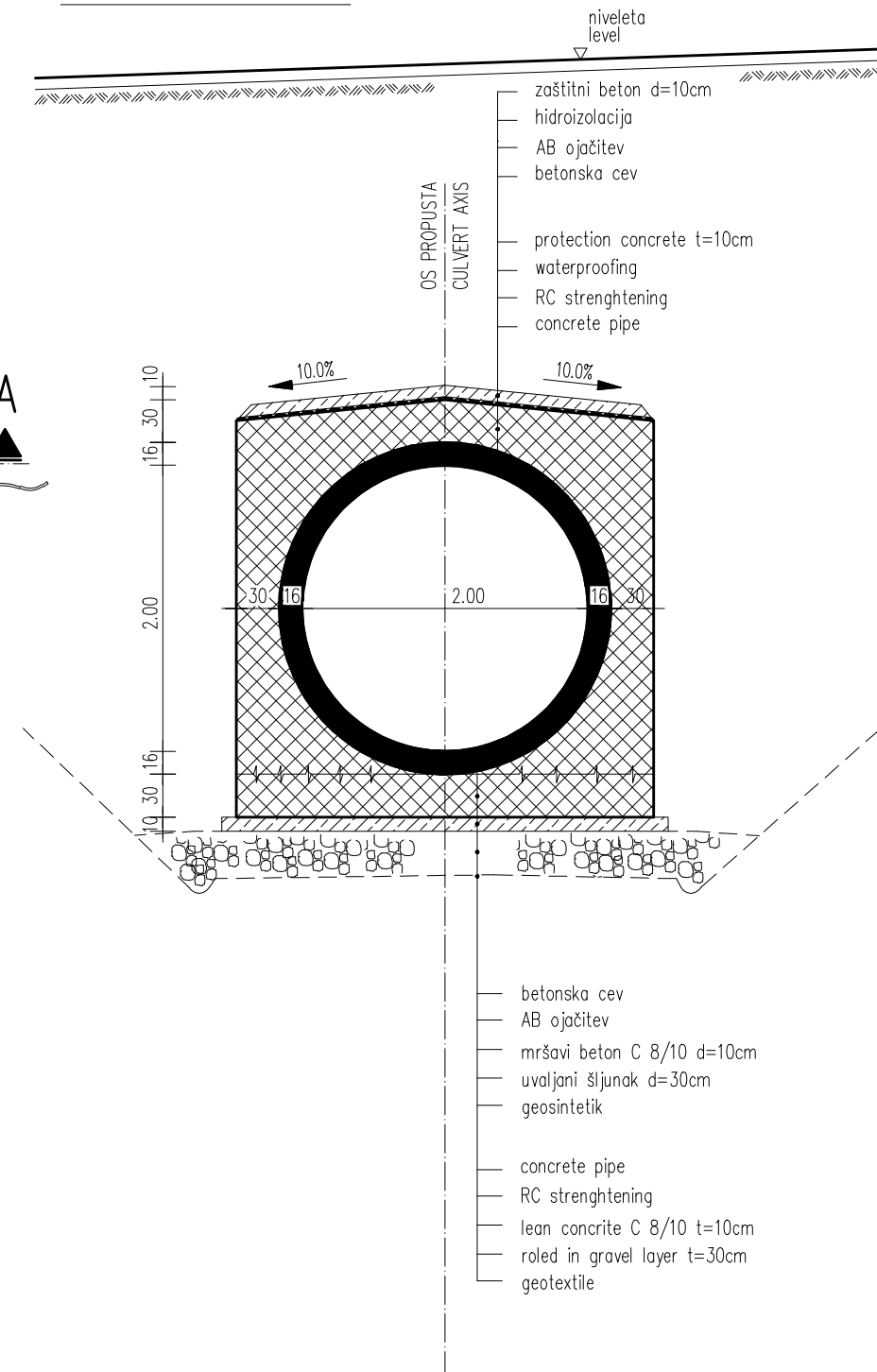


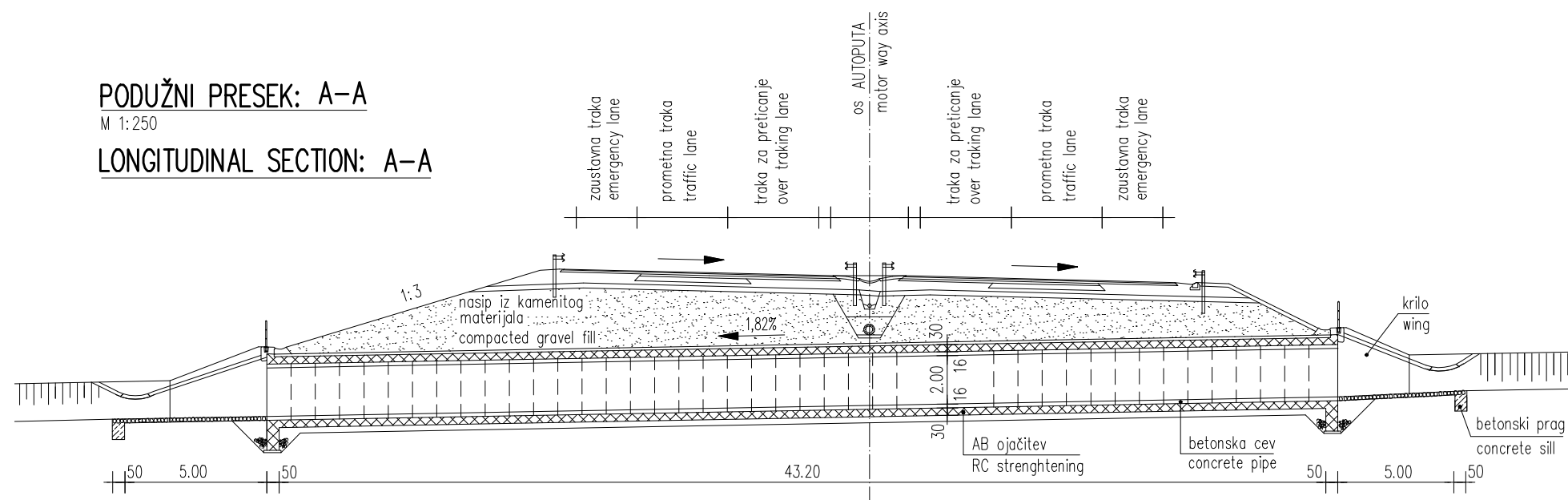
TLOCRT:
M 1:250
GROUND PLAN



POPREČNI PRESEK: B-B
M 1:50
CROSS SECTION: B-B



PODUŽNI PRESEK: A-A
M 1:250
LONGITUDINAL SECTION: A-A



br./no.	promena/change	datum/date	ime/name
kljient/client:			
			
naslov/title:			
SRSDD Standardni crteži putnih detalja u Republici Srbiji SRSDD Serbian road standard detail drawings			
crtež/drawing:			
Cevni propust Pipe culvert			
merilo/scale: 1 : 250, 50		datum/date: 30.04.2012	strana/page : 6.9