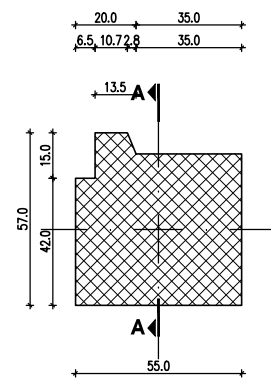
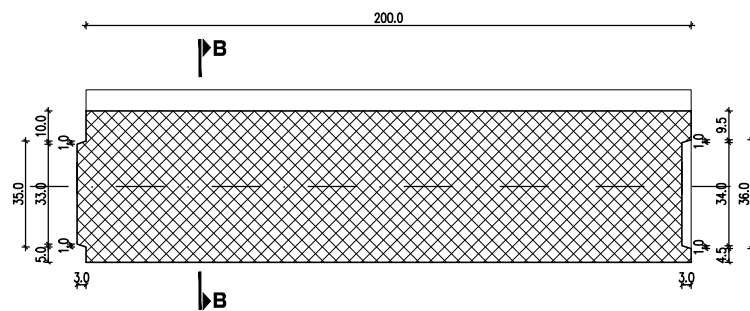


PUN IVIČNJAK | PRECAST KERB

PRESEK B-B | CROSS SECTION B-B  
M 1:25

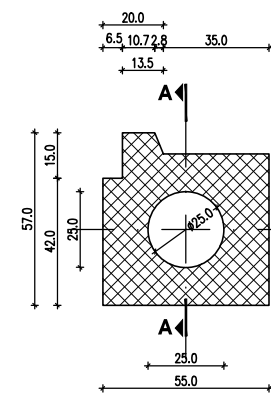


PRESEK A-A | CROSS SECTION A-A  
M 1:25

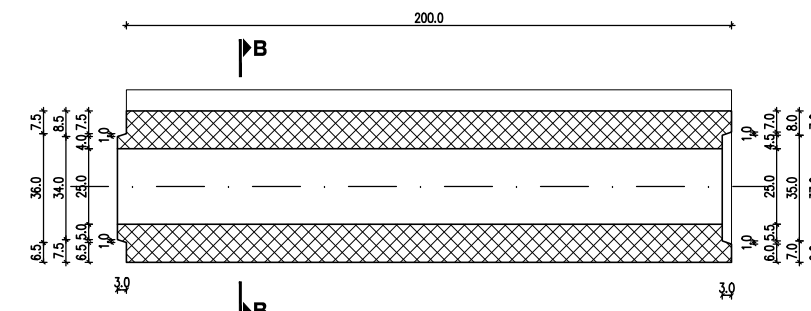


ŠUPLJI IVIČNJAK | PRECAST KERB

PRESEK B-B | CROSS SECTION B-B  
M 1:25

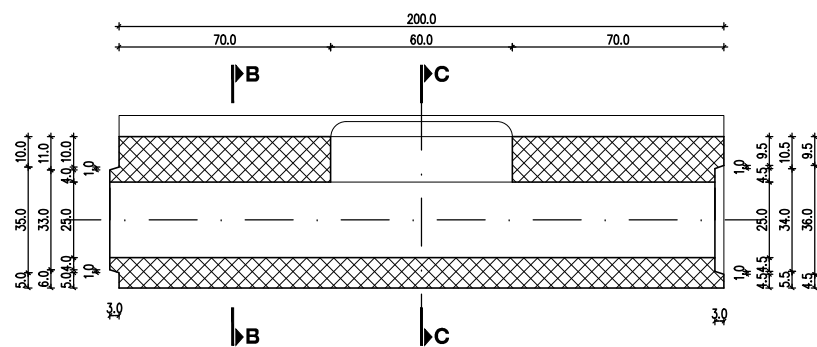


PRESEK A-A | CROSS SECTION A-A  
M 1:25



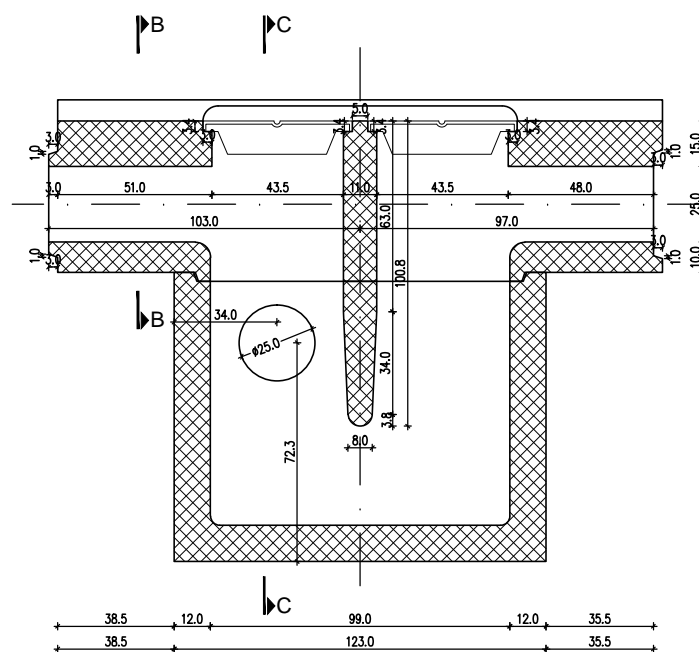
ŠUPLJI IVIČNJAK | PRECAST KERB

PRESEK A-A | CROSS SECTION A-A  
M 1:25

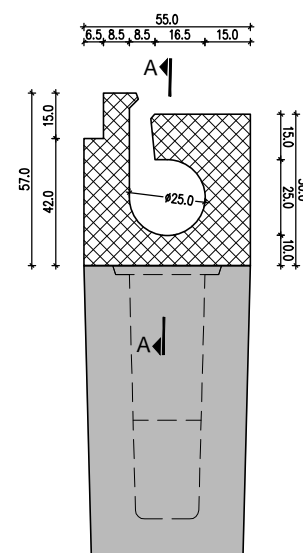


SIFON | CLEANING SHAFT

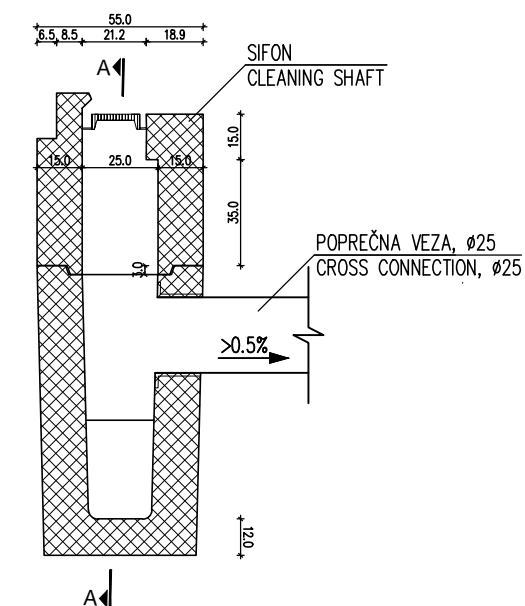
PRESEK A-A | CROSS SECTION A-A  
M 1:25



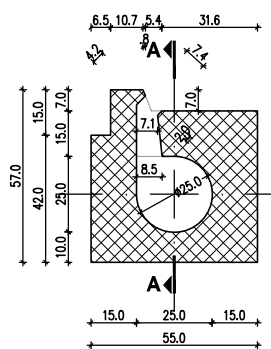
PRESEK B-B | CROSS SECTION B-B  
M 1:25



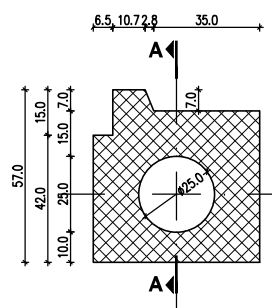
PRESEK C-C | CROSS SECTION C-C  
M 1:25



PRESEK C-C | CROSS SECTION C-C  
M 1:25



PRESEK B-B | CROSS SECTION B-B  
M 1:25



Klasa betona: C 35/45  
Klasa izloženosti: XD3, XF4, PV-II (SRPS EN 206-1)  
Concrete: C 35/45  
Exposure class: XD3, XF4, PV-II (SRPS EN 206-1)

br./no.	promena/change	datum/date	ime/name

klijent/client:	
naslov/title:	SRSDD Standardni crteži putnih detalja u Republici Srbiji SRSDD Serbian road standard detail drawings
crtež/drawing:	Ivičnjaci Precast kerbs